



Our company produces stainless steel filters for your different process needs.

Our single and plural filter housings are; Cartridge filters housings, Bag Filter Housings and Gasket Filter Housings.

Cartridge, bag and gasket filters made of steel are also used in addition to standard cartridge and bag filters in our filter housing.

Application areas and Features

- In filtration process flow in chemical industries
- In potable, process, coolant and waste water filtration
- In microfiltration process
- In Oil, milk, juice, and alcoholic beverages filtration in food/beverage industries
- In filtration of industrial oils and hydraulic fluids
- In metal coating, galvanized, nickel and cataphoresis filtration systems
- Residue filtration in paint and varnish production
- In filtration processes in the pharmaceutical and healthcare sector
- In pool water filtration
- In dialysis water systems
- In water treatment, sea water treatment and reverse osmosis systems
- In electronic industry and electrolysis baths
- In refineries and the petrochemical industry
- In solvent production and recycling
- In cosmetic Industries
- In filtration of printing ink and typography filtration processes
- In filtration of solutions and the polymeric liquids
- In filtration needs of biochemical and biotechnological processes
- In filtration needs of nuclear processes
- In power plants and processes related to power generation
- In filtration needs of military facilities and vehicles
- In maritime industries at ships, yachts, shipyards and marinas.
- In filtration needs of plastic injection molding machines
- In recycling process of machine oil, waste oil and fuels
- In storage and transfer plants of liquid chemicals and petroleum
- In air filtration of storage facilities and vent systems
- In typography and ink industry



STAINLESS STEEL BAG FILTER HOUSING

| | | | | | | | | |
|---|---|---|---|--------------|----------------|-------|--------|--|
| Type of Bag Filter housing | Single bag filter housing | Plural bag filter housing | | | | | | |
| Number of filter plugged into house | One bag | Desired number of bags | | | | | | |
| Materials | AISI-304 Stainless Steel | AISI-316 Stainless Steel | | | | | | |
| Bag filters size | 810 mm | 430 mm | 380 mm | 230 mm | Desired Length | | | |
| Bag filters diameter | 180 mm | 100 mm | Desired Diameters | | | | | |
| Bag filters place | Inside of this housing has spacial cap profile made by perforated stainless steel sheet iron support vessel | | | | | | | |
| Type of bag filters end caps | Special profile polypropylene cap | Stainless steel circle cap | Galvanized steel circle cap | | | | | |
| Input and output connections of the filter bowl | Input from upperside. Output from bottomside | Input from upperside. Output from outside | Input from downside. Output from downside | | | | | |
| Input or output diameters of housing | 3/4 inch | 1/2 inch | 1 inch | 1 1/2 inch | DN 25 | DN 50 | DN 100 | |
| Input and output types of housing | Sleeve | Nipple | PN-6 Flange | PN-10 Flange | PN-16 Flange | | | |
| Top cover connect type | Bolted - Connect | Easily renew side actionable bolted connect | | | | | | |
| Nozzle pressure gauge on the top cover | 1/4 inch sleeve | Various diameter | | | | | | |
| Sub-drainage nozzle end cap | 1.2 inch nipple | Various diameter | | | | | | |
| Compression of the bag filter system | Our special design for filter bypass and leaking risk under zero | | | | | | | |
| Bag filter medias | You can easily choose our bag filters for using in to the this housings from Bag Filters Brochure | | | | | | | |

STAINLESS STEEL GASKET FILTER HOUSING

| | | | | | | | | |
|--|---|---|---|--------------|--------------|-------|-------|----------------------------|
| Type of basket filter housing | Single basket filter | Plural basket filter | | | | | | |
| Number of basket filter | One basket | Plural basket | | | | | | |
| Material | AISI-304 stainless steel | AISI-316 stainless steel | | | | | | |
| Heigth of basket filter housing | Various heigth | | | | | | | |
| Core diameter of basket filter housing | Various diameter | | | | | | | |
| Spesification of basket filters | Various micron specification | Various diameter perforated | | | | | | |
| Input and output connect | Input from topside Output from botside | Input from topside Output from bottom | Input from botside Output from botside | | | | | |
| Input and output diameters of housing | 3/4 inch | 1/2 inch | 1 inch | 1 1/2 inch | 2 inch | DN 25 | DN 50 | DN 100 Various diameter |
| Inlet and outlet connect of housing | Muffed | Nipple | PN-6 Flange | PN-10 Flange | PN-16 Flange | | | |
| Top cover connect type | Bolted connect | Easily renew side actionable bolted connect | | | | | | |
| Nozzle pressure gauge on the top cover | 1/4 inch muffed | Various diameter | | | | | | |
| Sub-drainage nozzle cap | 1/2 inch nipple | Various diameter | | | | | | |
| Compressive system of bag filters | Bolted connect | | | | | | | |
| Bag filters medias for this housings | You can easily choose our basket filters for using in to the this housings from Basket Filters Brochure | | | | | | | |



STAINLESS STEEL CARTRIDGE FILTER HOUSING

| | | | | | | | | | | |
|--|---|---|--|------------------|---|--------------|-------|--------|--------|--|
| Material | AISI-304 Stainless Steel | AISI-316 Stainless Steel | | | | | | | | |
| Cartridge filter size | 5 inch | 10 inch | 20 inch | 30 inch | 40 inch | Various size | | | | |
| Cartridge filter type (DOE) | Without seal | Sealed | End cap with seal | | | | | | | |
| Cartridge filter type (SOE) | End cap | 222 O-ring end cap | 226 O-ring end cap | 222 O-ring spear | 226 O-ring spear | | | | | |
| Member of cartridge filters | One cartridge | Plural cartridge | | | | | | | | |
| Input and output connect of housing | Input from topside Output from botside | | Input from topside Output from bottom | | Input from botside Output from botside | | | | | |
| Input and output diameters of housing | 3/4 inch | 1/2 inch | 1 inch | 1 1/2 inch | 2 inch | DN 25 | DN 50 | DN 100 | DN 150 | |
| Input and output connect of housing | Muff | Nipple | PN-6 Flange | PN-10 Flange | PN-16 Flange | | | | | |
| Connect type of upper cap | Bolted connect | Easily renew side actionable bolted connect | | | | | | | | |
| Nozzle pressure gauge on the top cover | 1/4 inch muffed | Various diameter | | | | | | | | |
| Sub-drainage nozzle cap | 1/2 inch nipple | Various diameter | | | | | | | | |
| Compressive system of bag filters | Our special design for filter bypass and leaking risk under zero | | | | | | | | | |
| Cartridge filters medias for this housings | You can easily choose our cartridge filters for using in to the this housings from Cartridge Filters Brochure | | | | | | | | | |

STEINLESS STEEL WASHABLE CARTRIDGE FILTER

| | | | | | | | | | | |
|--|--|--------------------------|---------------------|-------------------|-------------------|--------------|--|--|--|--|
| Material | AISI-304 Stainless Steel | AISI-316 Stainless Steel | | | | | | | | |
| Cartridge filter size | 5 inch | 10 inch | 20 inch | 30 inch | 40 inch | Various size | | | | |
| Cartridge filter diameter | 63 mm | 112 mm | Various diameter | | | | | | | |
| Cartridge filter type (DOE) | Without gasket | Gasket | End cap, gasket | | | | | | | |
| Cartridge filter type (SOE) | End cap | 222 O-ring, end cap | 226 O-ring, end cap | 222 O-ring, spear | 226 O-ring, spear | | | | | |
| Filter core | Cylindrical perforated stainless steel sheet | | | | | | | | | |
| Filter media | Weaved with special technology, various micron size, stainless steel fabric | | | | | | | | | |
| Micron ranked | From 10 to 1000 micron | | | | | | | | | |
| Protective layer in low micron filters | Weaved from steel wire 800 or 1000 microns screen wire | | | | | | | | | |
| Gasket and o-ring material | EPDM | Slicon | Viton | NBR | | | | | | |
| Outwards filter layers | Innermost perforated cylindrical body, filter media in the middle, protective layer at outside | | | | | | | | | |
| Lifetime | Stainless steel cartridge filters, do not like the other filters about lifetime, this filters can cleaned for solvents and water | | | | | | | | | |



STAINLESS STEEL FILTER HOUSINGS

TECHNICAL SPECIFICATION

Our stainless steel cartridge filter, bag filter and basket filter housings and also cartridge filters, bag filters and basket filters inserted into them are made by standard production of stainless steel AISI-304 and AISI-316. Also; production of different type metal and plastic materials of these housings for various process needs of our customers are also done.

Technical specifications and manufacturing options of these housings are indicated in the following table. Please contact with our company for your various housing needs.

Cartridge Filter Housings
Bag Filter Housings
Gasket Filter Housings
Stainless Steel Cartridge Filters

Various forms and size stainless steel cartridge filters produced by orders. These filters are produced for our customer's process needs with desired size and type. Please contact with our company for this type of product.



PROSES TİCARET İMALAT MÜHENDİSLİK ENDÜSTRİYEL MADDE VE MALZEME İMALATI İNŞAAT VE SANAYİ LTD. ŞTİ.

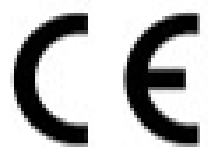
Taşköprü Sanayi Sitesi, 5.yol, No:2-12 Taşköprü – YALOVA / TÜRKİYE

Tel : +90 226 353 35 70 pbx

Fax : +90 226 353 35 71

www.filtre.com.tr | www.prosestim.com

E-mail: proses@proses-tim.com | satis@proses-tim.com





STAINLESS STEEL CARTRIDGE FILTER HOUSINGS



Single Filter Housing



3-Pole Filter Housing



5-Pole Filter Housing



7-Pole Filter Housing



9-Pole Filter Housing



Plural Filter Housing



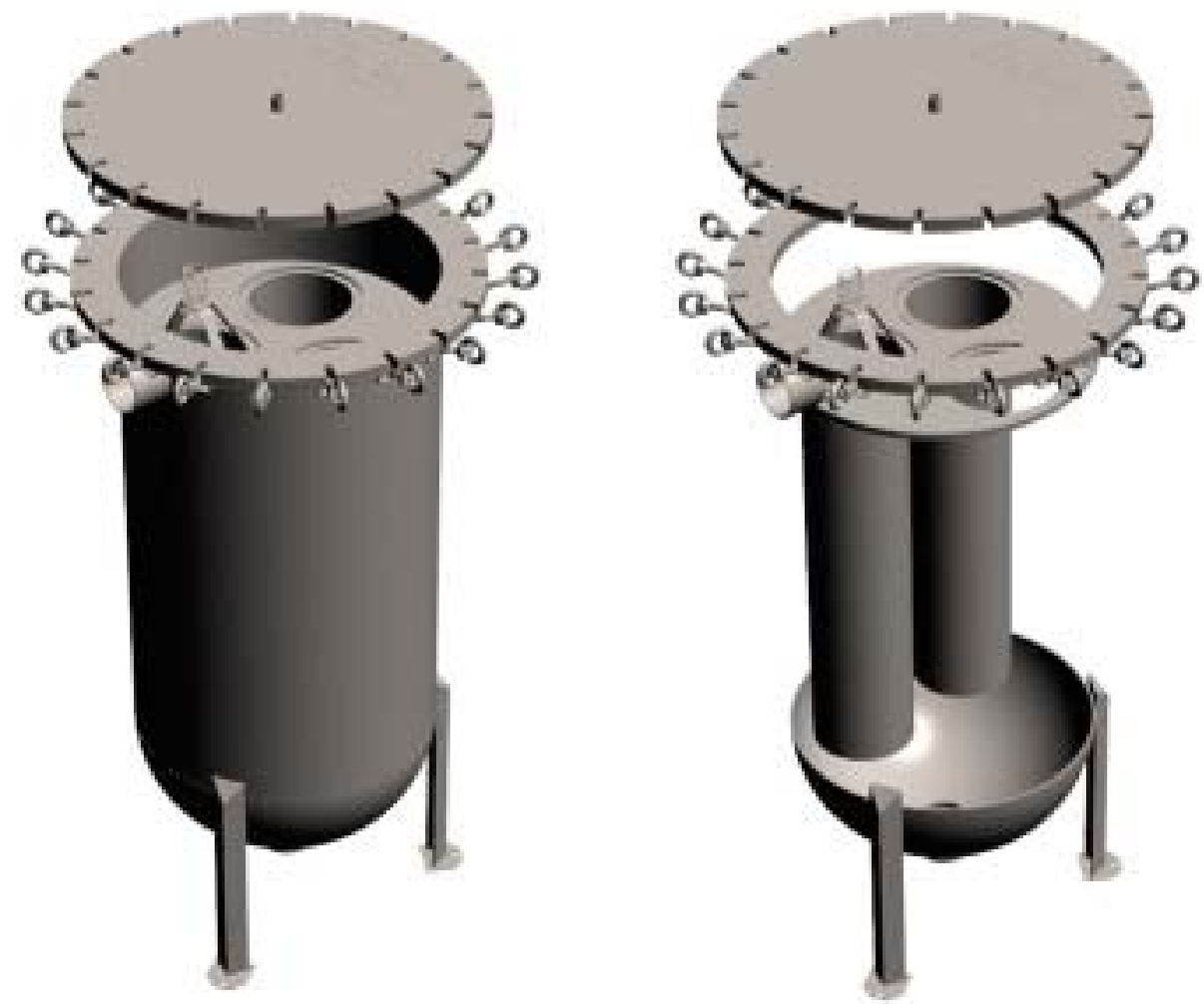


STAINLESS STEEL BAG FILTER HOUSINGS

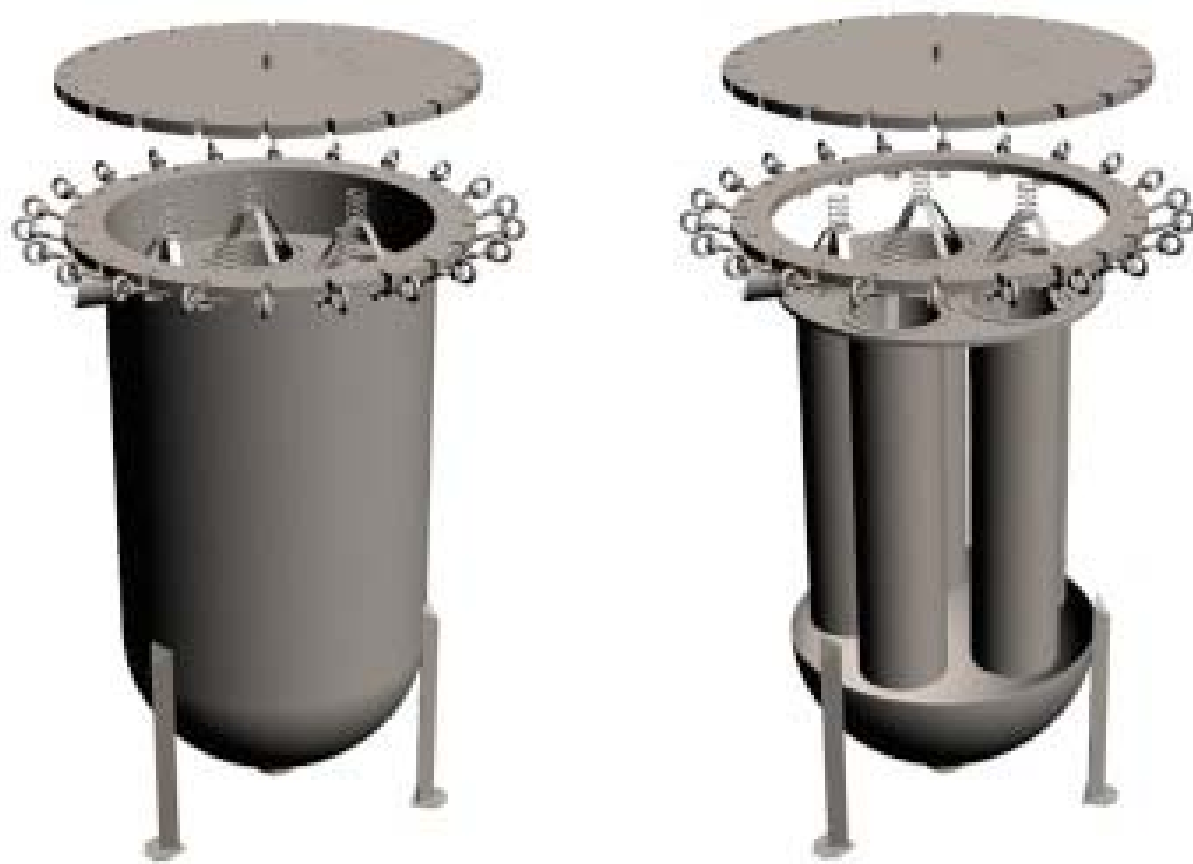
Single Bag Filter Housing



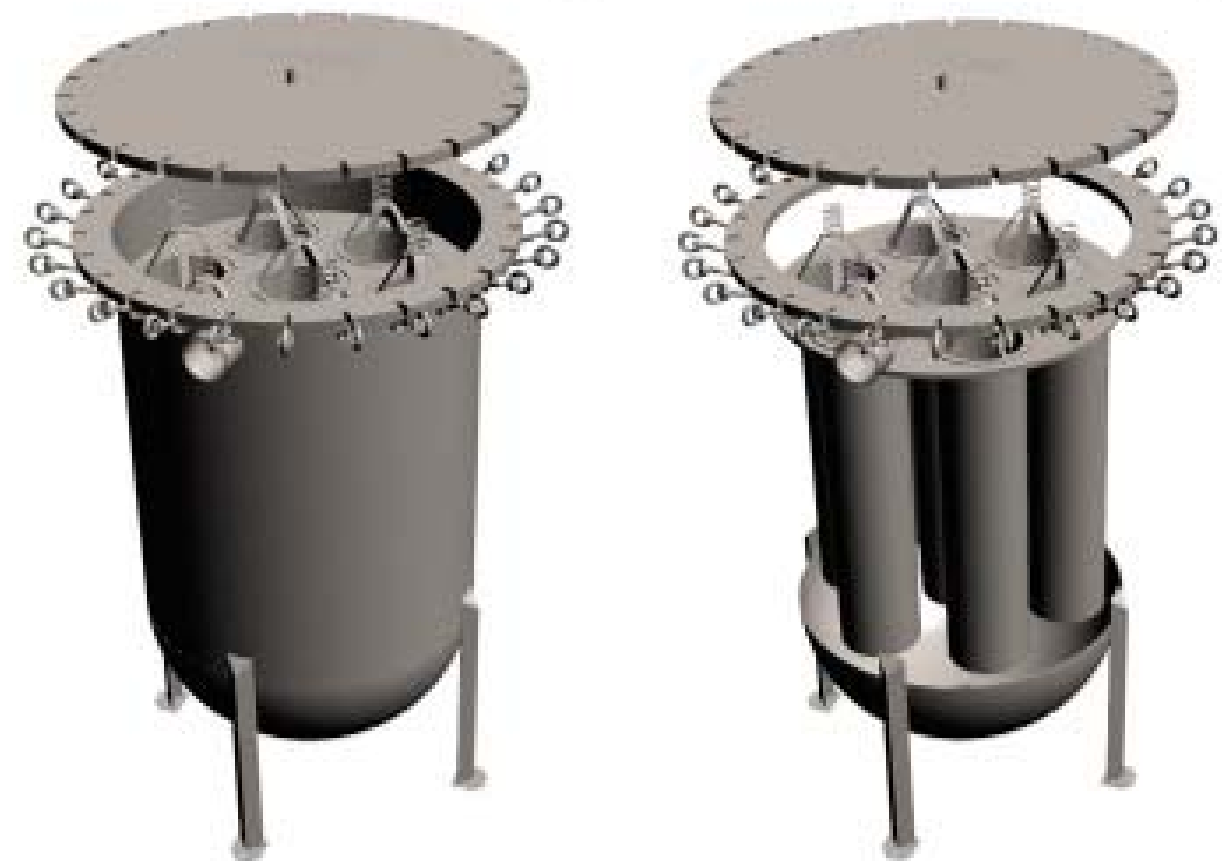
3-Pole Bag Filter Housing



5-Pole Bag Filter Housing



7-Pole Bag Filter Housing



Stainless Steel Gasket Filter Housing



